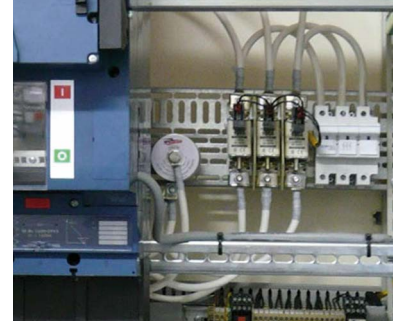


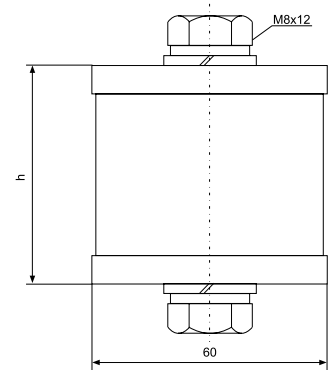
OVERVOLTAGE LIMITER PSPI */10kA - LINE DISCHARGE CLASS 1
Limiters for indoor use

OVERVOLTAGE LIMITER
PSPI */10kA
LINE DISCHARGE CLASS 1
INNER LIMITER - AC NETWORKS



OVERVOLTAGE LIMITER PSPI */10kA - LINE DISCHARGE CLASS 1

PSPI */10 is an overvoltage limiter designed for internal use to protect high-voltage transmission networks; transformers, switchgear, HV cable distribution systems and, in particular, cable heads of enclosed substations from the effects of atmospheric and switching overvoltage. The functional part of the limiters consists of a column of varistors sized for continuous operating voltage U_c , the outer insulating shell is composed of silicon caoutchouk (grey colour). The material of the shell shows high resistance to the effects of surface leakage currents and to electric arc, possesses hydrophobic properties and shows excellent resistance to weather effects, pollution and UV radiation. The cover caps, connecting screws, nuts and terminals are made of stainless steel suitable for the connection of a conductor with a diameter of 6 to 16 mm. With their design and technical parameters, the overvoltage limiters of the PSPI series conform to the standards IEC/TC (37.13), IEC 60099-4 and EN 60099-4.



| Technical data | | PSPI 0,440/10 | PSPI 0,8/10 | PSPI 1/10 | PSPI 1,6/10 |
|--|-------------|----------------|----------------|----------------|----------------|
| Maximální Max. continuous operating voltage (AC) | U_c | 0,44 kV | 0,8 kV | 1 kV | 1,6 kV |
| Nominal voltage (AC) | U_n | 0,55 kV | 1 kV | 1,25 kV | 2 kV |
| Nominal discharge current | I_n | 10 kA | 10 kA | 10 kA | 10 kA |
| High impulse current (8/20 μ s) | | 40 kA | 40 kA | 40 kA | 40 kA |
| Long current impulse (2ms) | | 300 A | 300 A | 300 A | 300 A |
| Discharge class acc. to EN 60099-4 | | 1 | 1 | 1 | 1 |
| Residual voltage at I_n | U_{res} | $\leq 1,8$ kV | $\leq 3,3$ kV | $\leq 3,7$ kV | $\leq 5,5$ kV |
| Height | h | 67 mm | 69 mm | 73 mm | 75 mm |
| Operating temperature range | ϑ | -35°C ÷ + 55°C | -35°C ÷ + 55°C | -35°C ÷ + 55°C | -35°C ÷ + 55°C |
| Weight | m | 445 g | 470 g | 490 g | 520 g |
| Article number | | 93000 | 93001 | 93002 | 93003 |

Transport and storage

The overvoltage limiters may not be exposed to strong shocks and impacts during transport. They should be stored in the long term in an indoor store.

Maintenance

No testing of the function or maintenance such as cleaning is necessary during the anticipated life of the limiter.

Advantages

- Long protective distance
- High absorption capacity
- Stable U-I characteristics even after repeated discharges
- Resistance to ageing
- Design resistant to explosion and bursting
- Resistance to pollution and UV radiation
- Resistance of the shell to rough handling
- Maintenance-free design
- Resistance to shocks and vibrations
- High mechanical resistance